



**222**  
AUTOMATIC

LONGITUDINAL HEMMING AND  
STITCHING MACHINE



# AZIMO 222 AUTOMATIC

## LONGITUDINAL HEMMING AND STITCHING MACHINE



Azimo 222 is able to cut, hem and sew precisely both of the long edges of the fabric up to 20 meters per minute with 3 stitches per centimeter through Pegasus double chain stitch headstyles. The density of the stitch can be adjustable easily.

Azimo 222 machine is controlled through HMI touch screen. And all data can be reached by HMI.

### Machine Speed

Sewing speed is infinitely adjusted from 0 to 20 m/minute maximum by the use of a potentiometer. The maximum speed can be adjusted based on fabric qualities.

### Centering Device

The device, controlled by photocells, leads the fabric into the center of the trimming and sewing station.

### Transfer Unit

It provides transfer the roll of fabric or spreading cloth which is prepared to stitch into the machine.

### Pulling System

Azimo 222 has two independent edge pulling systems.

The systems enable to fold properly by pulling the edge of the fabric in the hemming system.

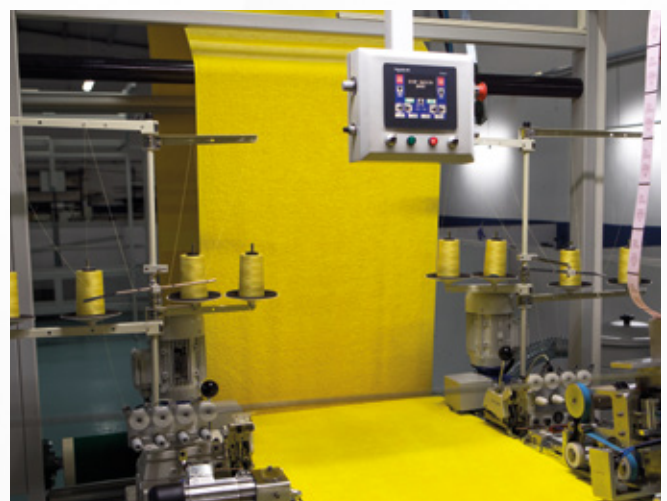
The speed of the systems can be controlled electronically as well as manually under the circumstances that any different tension between right and left edges.

### Pile and Edge Control System

The system, which operates independently, provides to enter the fabric into the machine in an exact position.

### Trimming Device

Each knife works independently, via three phase motor. The knives cut accurately not only single threads but also complete fabric strips.



## Quality of Hemming and Stitching

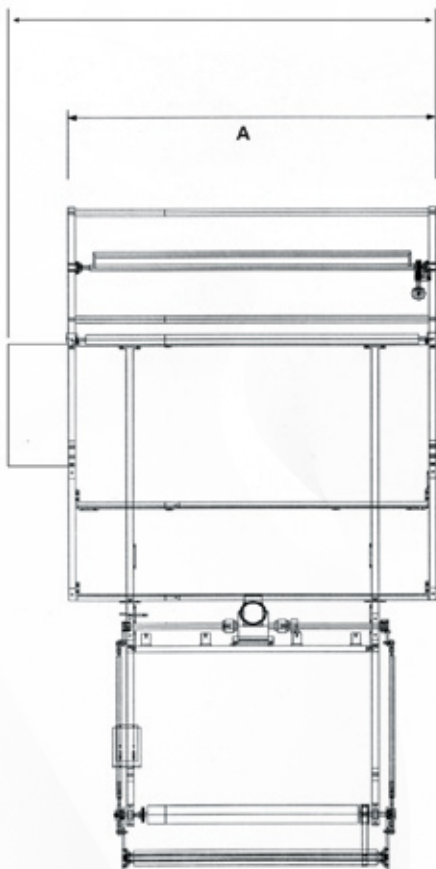
Terry fabric on the machine places precisely via control of loops and edge photocells.

The trimming device cuts the excesses of edge and standardize the size for hemming and stitching.

Hemming system enables standardized towel to fold three times smoothly regardless of edge thickness or towel border.

A 7 - 8 mm hem can be processed, depending on fabric quality, with a minimum 24 mm plain fabric selvedge.

Long terry piles are turned away during hemming and stitching with a special mechanical system, so that the piles do not get under the stitches.



### Working width max.

1000 mm  
1200 mm  
1600 mm  
1800 mm  
2000 mm

### A

2420 mm  
2620 mm  
3020 mm  
3220 mm  
3420 mm

Stitching system stitches towel fabric in the best possible way.

## Vacuum Device

The single threads as well as complete fabric strips can be removed with Azimo vacuum device, with a capacity of 90 liters.

## Spreader

The spreading cloth is maximum 150 cm. The output of fabric from the machine is stocked by spreading.

## Options: Azimo 250 Label Attachment

Azimo 250 Label Attachment for automatic insertion of label in one hem operates simultaneously with Azimo 222.

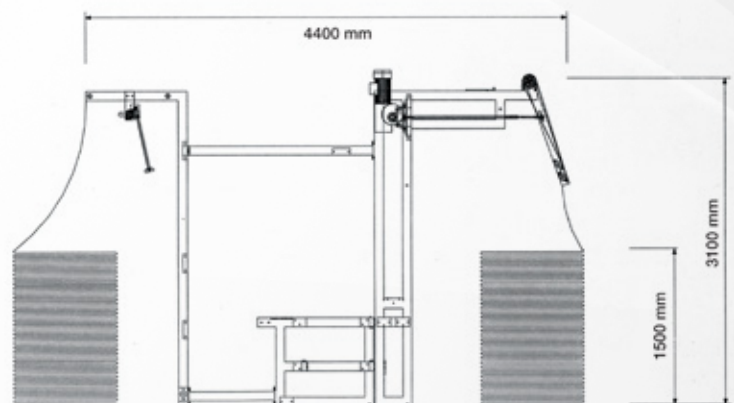
The label may be inserted anywhere along the hem.

Label length : adjustable

Loop label : 60mm-120mm(folded 30mm-60mm)

Label width : 10mm-50mm

The labels are fed from roll with a max. diameter up to 300 mm



Working width : 1200mm  
Measure A : 2620mm  
other working width on request

Current supply : 400V / 50 Hz  
Vacuum sucker : 1,5 kW  
Consumption : approx. 3,5 kW  
Air connection : 6 bar  
Consumption : approx. 900 l / min.

**Note:** Air compressor is only need for cleaning the machine, and the machine can process of operating without it so that the air consumption is almost none.



+90 258 269 12 50  
Organize Sanayi 2. Bölge  
Hüsnü Örnek Cad. No: 8  
20330 Denizli / Turkey  
[azimo@azimmakine.com](mailto:azimo@azimmakine.com)

[www.azimmakine.com](http://www.azimmakine.com)